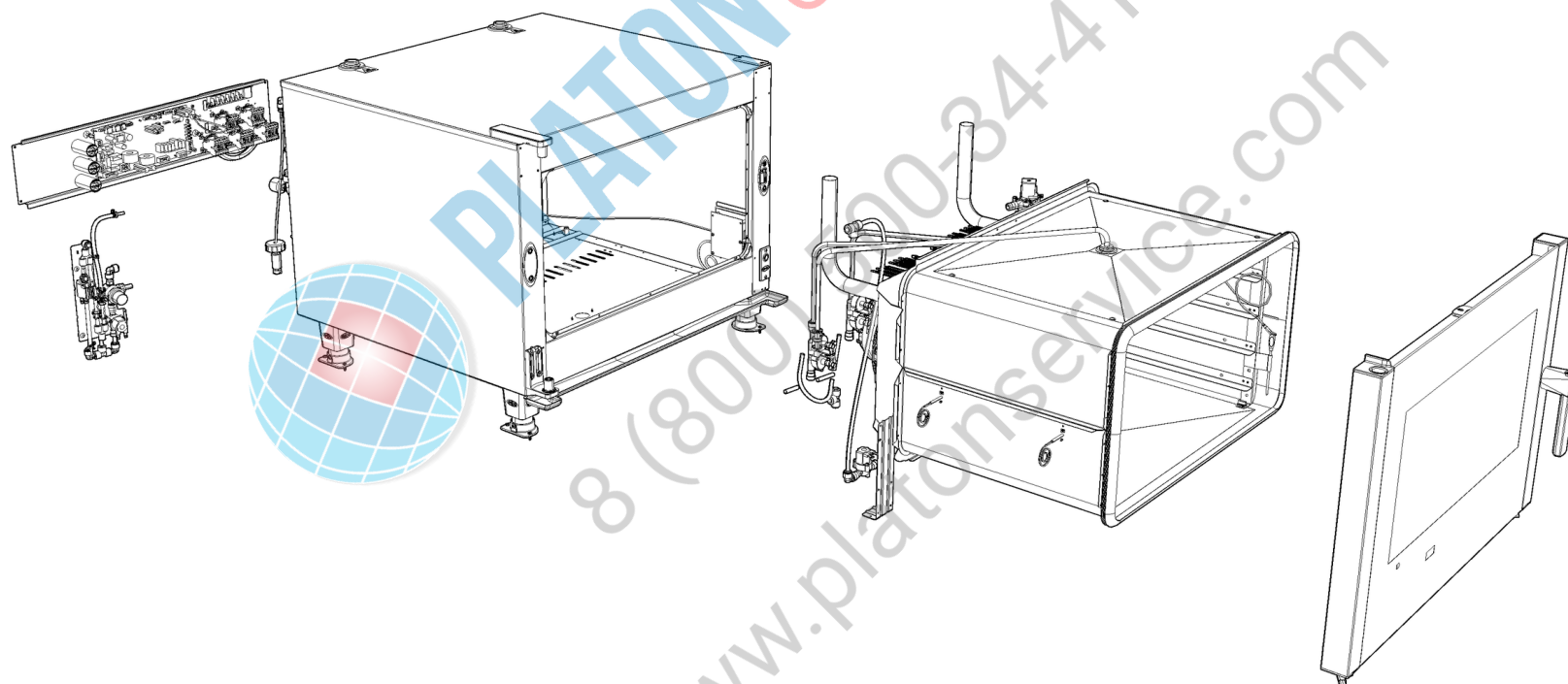
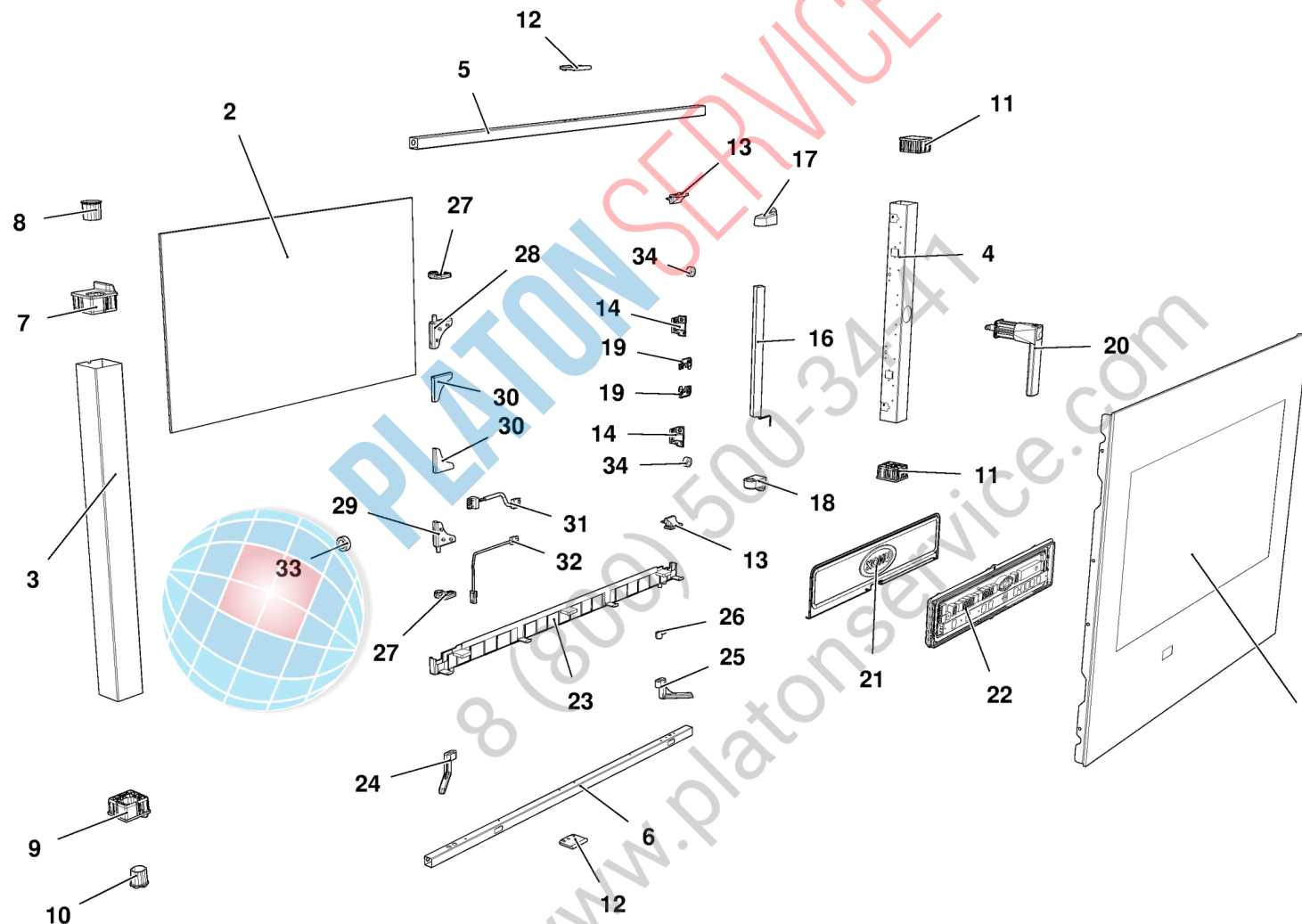


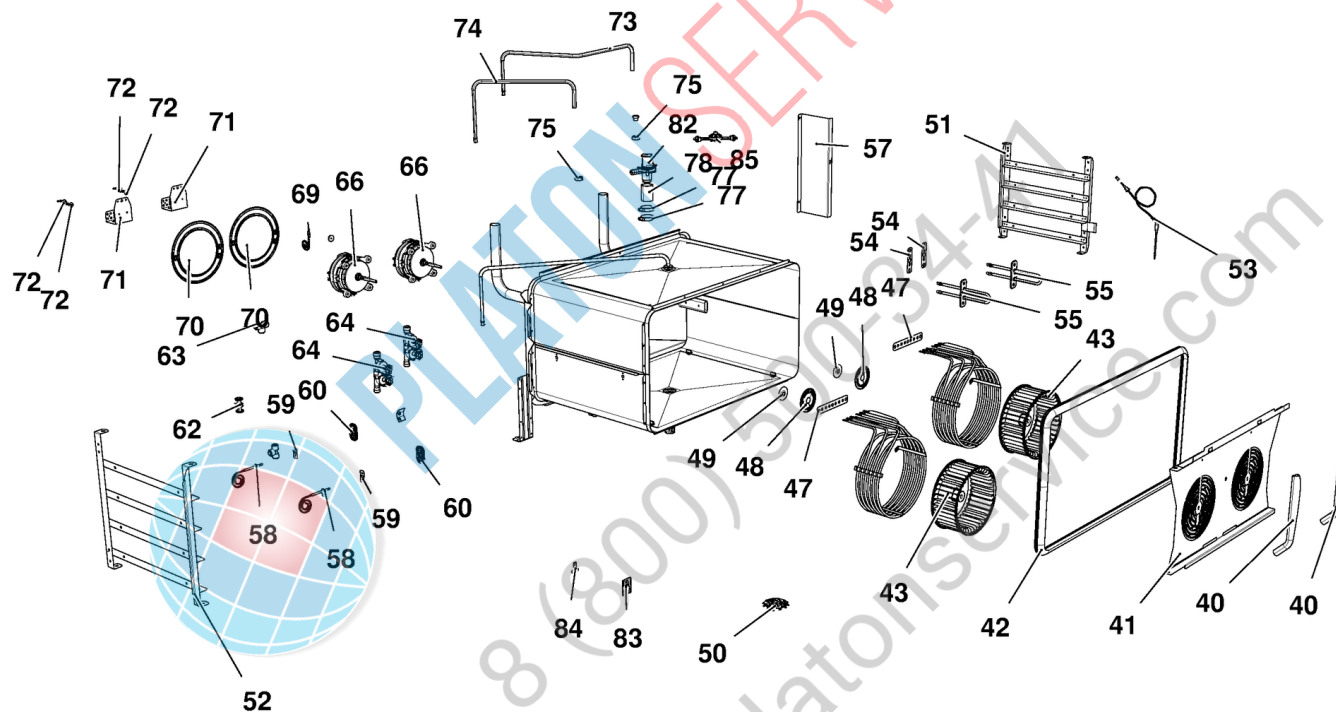
MOD:XBC405E



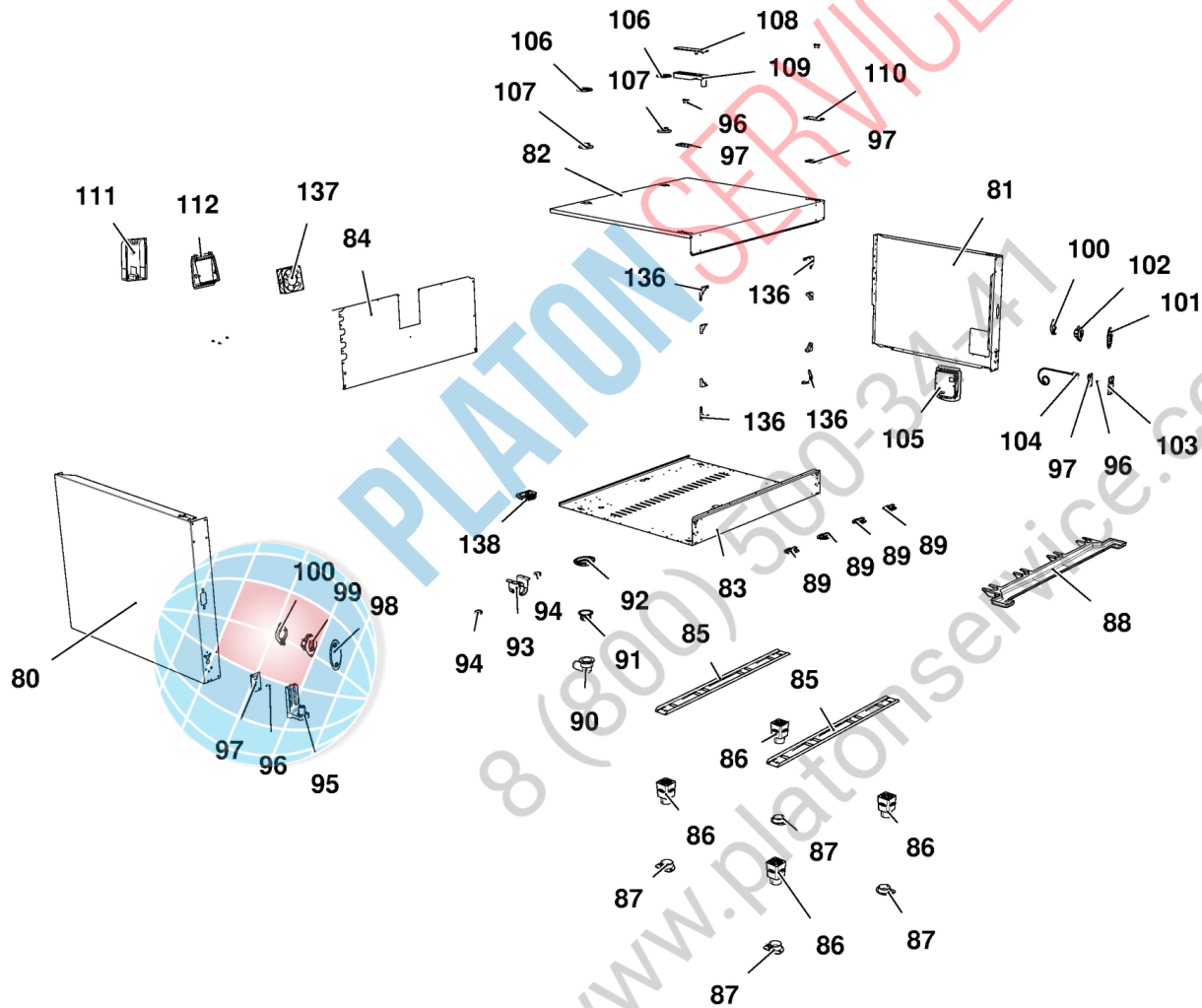
MOD:XBC405E



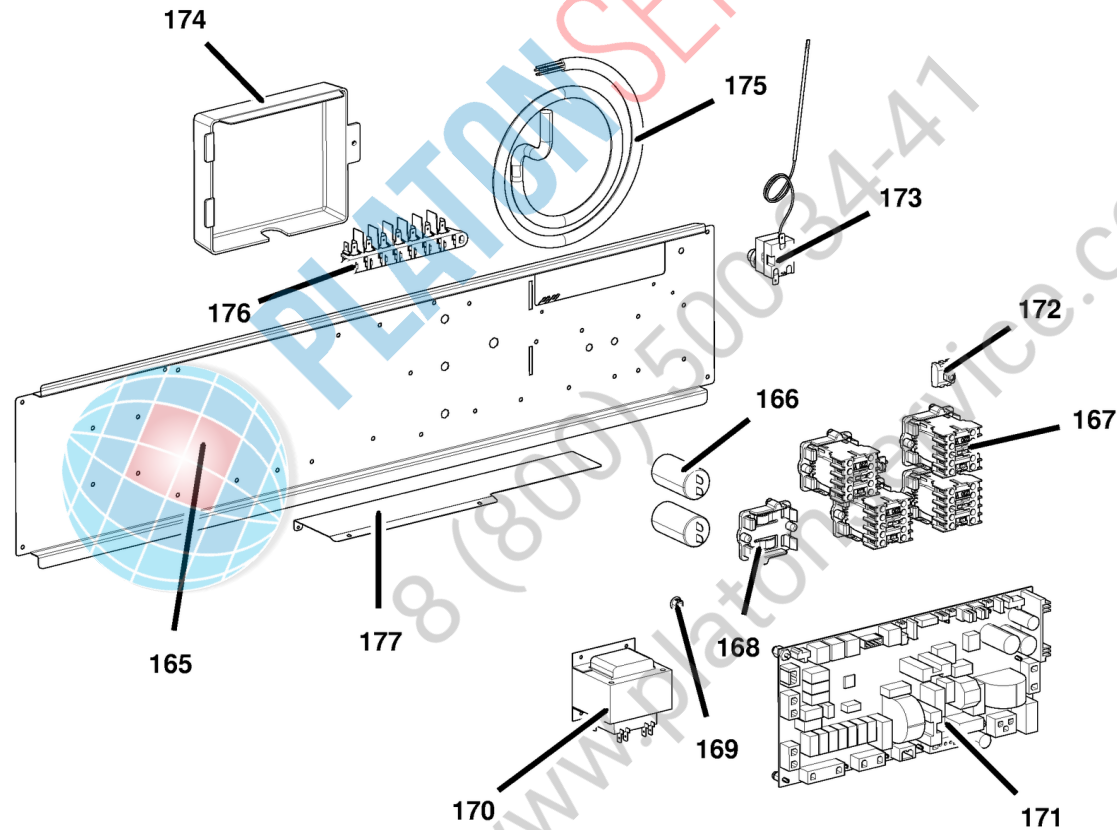
MOD:XBC405E



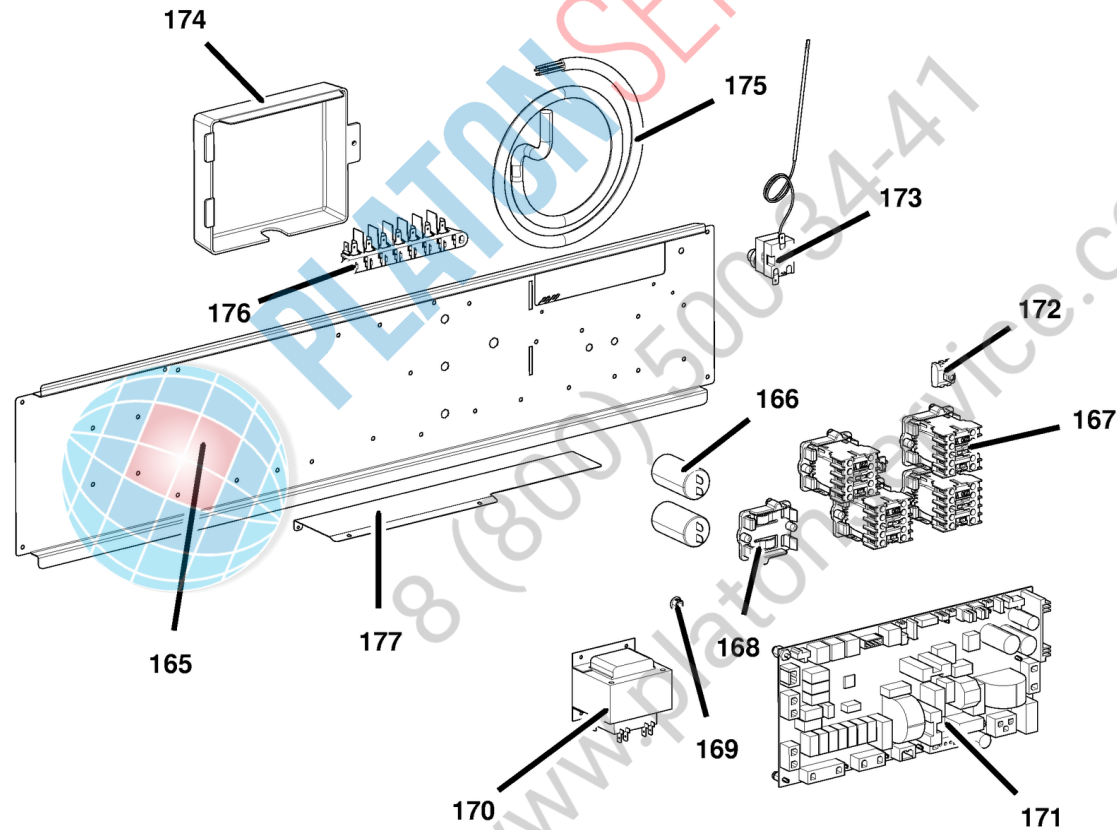
MOD:XBC405E



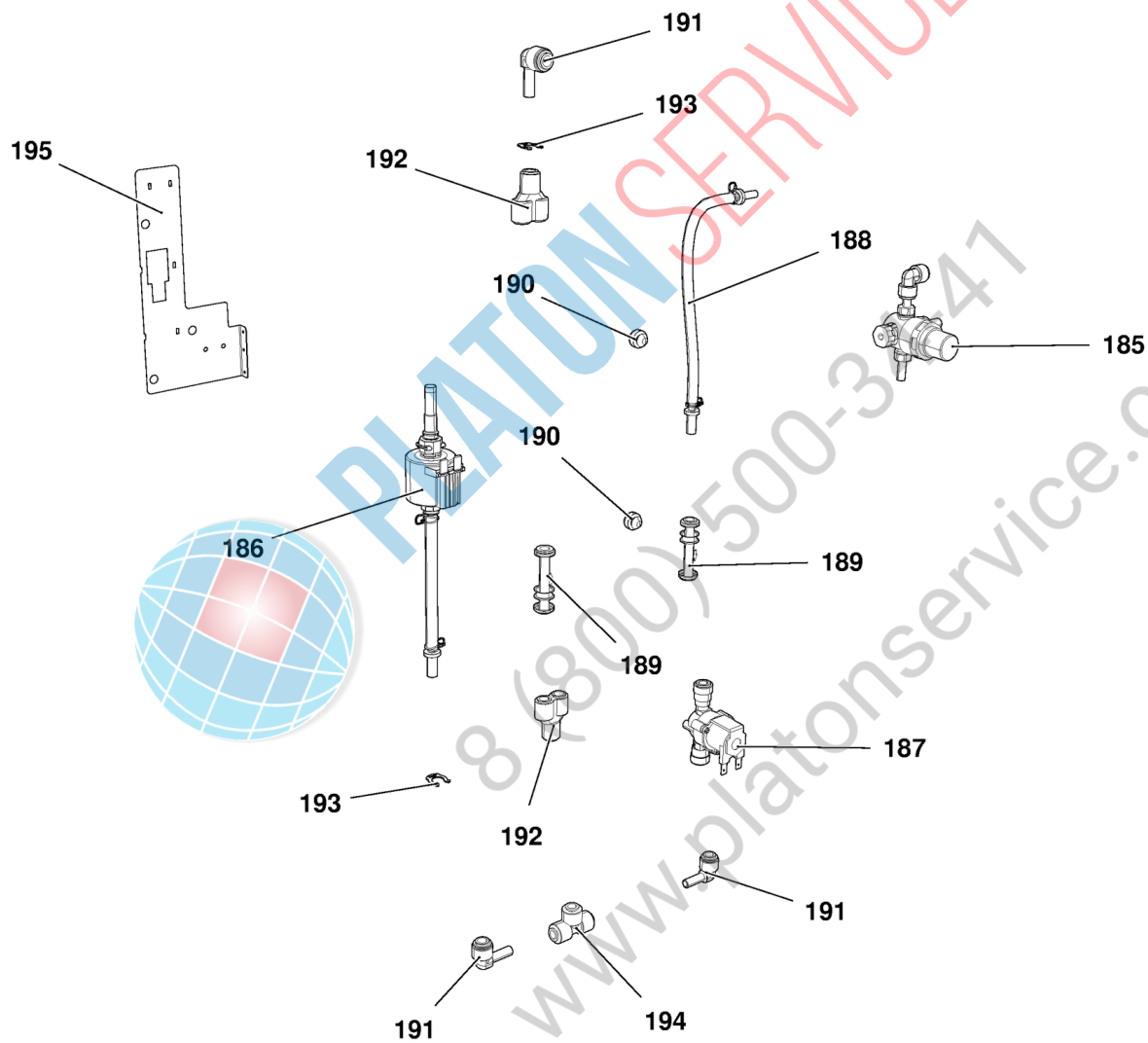
MOD:XBC405E



MOD:XBC405E



MOD:XBC405E



MOD:XBC405E



IT

Descrizione codici

1	VT1131B	VETRO ESTERNO SER. 757X555X4 CHIA
2	VT1130A	VETRO INTERNO 743X432X6 BETFL
3	TB1186A	COLONNINA SX PORTA XVC305 XBC405
4	TB2314A	COLONNINA DX PORTA XVC305E-XBC405
5	TB1361A	LISTELLO SUP. BT S.5E 20x20x1
6	TB1362A	LISTELLO INF. BT S.5E 20x20x1
7	VM1170B	TAPPO FULCRO SUP. PORTA XVC204/30
8	VM1511A	BOCCOLA LISCIA PERNO PORTA CHEFFT
9	VM1171B	TAPPO FULCRO INF. PORTA XVC204/30
10	VM1510A	BOCCOLA SCANALATA PERNO PORTA XBC
11	VM1175A	TAPPO ESTETICO COLONNINA PORTA
12	VM2031A	PREMIVETRO ESTERNO
13	VM2043A	SUPPORTO VETRO SUP - INF
14	VM2042A	ASSIEME CHIUSURA VETRO INTERNO LA
16	LP1001B	BARRA ILLUMINAZIONE LED L300
17	VM1621A	SUPPORTO SUP BARRA LED
18	VM1620A	SUPPORTO INF BARRA LED
19	VM1490A	COPRI VITI MANIGLIA CHEFTOP BAKER
21	OH4310A	PROFILO INOX PARACALORE CRUSCOTTO
22	PE1740C	SCHEDA CONTROLLO PE1705 CT BT
23	VM1617A	PROFILO SALVAGOCIA 400/600/800
24	VM2014A	TUBO PER PROFILO RACCOGLI GOCCE S
26	VM2044A	TAPPO PER PROFILO RACCOGLI GOCCE
27	VM1680A	CERNIERA APERTURA VETRO INTERNO
28	CR1085A	CERNIERA VETRO INT INOX SUP
29	CR1086A	CERNIERA VETRO INT INOX INF
30	GN1181A	GUARNIZIONE CERN VETRO INT CR1085
31	CE1275A	CAVO COLLEGAMENTO POTENZA CONTROL
32	CE1665A	CAVO ALIMENTAZIONE BARRA LED 1 MT
33	CE1285A	FERRITE EMI ROUND MOD. 2643801502
36	VM1630A	TAPPO PREMI VETRO INTERNO

37	VM1591A	STAFFA SPINGIVETRO INTERNO XVC100
22	PE1740B	SCHEDA CONTROLLO PE1705 CT BT
39	VE1030A	CALAMITA D=22,9mm PER MICROPORTA
40	TB2262A	TUBO INT. UMIDITA' XBC405E Ø16x1
41	OG1477A	CARTER ARIA XBC405E
42	GN1387B	GN1000B-GUARNIZIONE PORTA SILICON
43	VN1030A	VENTOLA D196 H81 39 PALE DADO M8
43	VN1030A	VENTOLA D196 H81 39 PALE DADO M8
47	GN1085A	GUARNIZIONE RESISTENZA 141x24 G6.
48	OH4305A	DISCO TENUTA ALBERO MOTORE INOX S
49	GN1140A	GUARNIZIONE PORTAMOTORE STAMP.
50	OH2551A	TAPPO PER TUBO DI SCARICO LIQUIDI
51	GRL1297A	GRIGLIA LAT. DX 4X600X400
52	GRL1296A	GRIGLIA LAT. SX 4X600X400
53	TR1040A	SONDA AL CUORE STAMPATA L=1320
54	GN1326A	GUARNIZIONE RESISTENZA 71x19 G6.2
55	RS1215A	RES. PIANA 147W 105V D230 1 SPIRA
55	RS1215A	RES. PIANA 147W 105V D230 1 SPIRA
57	OG1346B	DISTANZIALE VERT.CARTER ARIA XBC
58	TR1106A	SONDA TEMPERATURA PT100 L2000
59	GN1285A	GUARNIZIONE SONDA DI TEMPERATURA
60	VM1465A	COPERCHIO SONDA TEMPERATURA CHEFT
62	EL1055A	RIDUZIONE INTERMEDIA D10-D8
63	EL1020A	RACCORDO INTERMEDIO "T" TUBO Ø8
64	EL1361A	ELETTRIVALVOLA TRI-STADIO JG D8-D
64	EL1361A	ELETTRIVALVOLA TRI-STADIO JG D8-D
66	VN1130A	MOTORE FORNO 330W 230V 50/60HZ
66	VN1130A	MOTORE FORNO 330W 230V 50/60HZ
69	PE1710A	SENSORE NUMERO GIRI MOTORE
70	OH3586A	LAMIERA PROTEZIONE MOTORE ZINCATO
71	OH4851A	STAFFA SUPPORTO CABLAGGI STD

72	VM1610A	CLIP TWIST LOCK DIAM. 7,6-10,2 MM
73	TB2250A	TUBO EST. UMIDITA' + RC1165A0
74	TB1515A	TUBO EST. UMIDITA' + RC1165A0
75	RC1170A	DADO M14 H=8 CH=22 INOX
77	RC1378A	FASCETTA STRINGI TUBO ZINCATA
78	TB1956A	TB1520A-TUBO NERO EPDM L=50
82	VE1135A	ATTUATORE VENTURI 220V 50/60 Hz S
83	OH7030A	COPERCHIO INGRESSO BULBO
84	GN1531A	GUARNIZIONE TENUTA INGRESSO BULBO
85	VM1955C	CORPO GIRANTE LAVAGGIO
80	OD2148A	FIANCO SX XBC405E
81	OD2149A	FIANCO DX XBC405E
82	OD1875A	COPERCHIO INOX XBC405/605/805
83	OE1312A	FONDO EST. BT S.5-E
84	OF1433A	SCHIENA XBC405E
85	OH6395A	LONGHERONE BT S.5-E
86	PD1066B	PIEDE H100 PLASTICA BICOMPONENTE
87	PD1063A	STAFFA BLOCCAGGIO PIEDE CT BT
88	VM1992A	CASSETTO RACCOGLI GOCCE 860
89	VM2074A	CLIP CON VITE PER SUPPORTO CASSET
90	VL1026A	CURVA PER TUBO DI SCARICO
91	GN1400A	GUARNIZIONE SIFONE
92	VM2039A	ANELLO FISSAGGIO CURVA DI SCARICO
93	VM2035A	SUPPORTO PER TUBO DI SCARICO
94	VM1505A	PASSAPARETE CON DIAFRAMMA
95	VM1160B	STAFFA INFERIORE PORTA CT BT
96	VM1240A	TAPPO NYLON SUPPORTO CONTROSTAFFA
97	OH2560A	CONTROSTAFFA ZINCATA PORTA C.T.
98	VM1461A	COPERCHIO SX SCROCCO PORTA XBC/XV
99	VM1191A	SCROCCO MANIGLIA SX CT BT
100	VM1192A	COPERCHIO SCROCCO MANIGLIA CT BT

101	VM1460A	COPERCHIO DX SCROCCO PORTA XBC/XV
102	VM1190A	SCROCCO MANIGLIA DX CT BT
103	VM1201A	PIASTRINA SUPPORTO MICROPORTA MAG
104	VE1020A	MICROINTERRUTTORE PORTA MAGNETICO
105	PE1967B	SCHEDA MODBUS E USB CHEFTOP
106	OH3790A	LAMIERA TENUTA CAMINO
107	GN1275A	GUARNIZIONE CAMINO SILICONE NERO
108	VM1166A	COPERCHIO STAFFA SUPERIORE PORTA
109	VM1165B	STAFFA SUPERIORE PORTA CT BT
110	VM1195A	PIASTRINA COPRIFORI XVC204/304/50
111	VM1556A	PROTEZIONE VENTOLA RAFFREDDAMENTO
112	VM1555A	SUPPORTO VENTOLA RAFFREDDAMENTO C
136	OH1450A	ANGOLO FACCIATA MUFFOLA INOX XB-X
137	VN1163A	VENTOLA RAFFREDDAMENTO 230V
138	VM2061A	PASSAPARETE CAVI ACCESSORI COMPLE
165	OP1006B	PORTACOMPONENTI BT EL S.5E
166	CN1003A	CONDENSATORE CORAZZATO 6,3 uF
167	VE1115A	MINICONTATTORE QUADRIPOLE 20 A
168	VM1056A	STAFFA TELERUTTORE PICCOLO VE1115
169	VM1840A	TAPPO NYLON NERO DIAM. 9,5 MM
170	VE1026A	TRASFORMATORE 230-21-12Vac 90VA
171	PE1725E	SCHEDA POTENZA FORNI CT-BT S5.E
172	VM1750A	MORSETTIERA A PETTINE
173	TR1136A	TERMOSTATO SIC. UNIP. 330°C
174	VM1310A	SCATOLA COPRI MORSETTIERA XB/XV/X
175	CE1355A	CAVO 5X2,5MMQ.H07RN-F L=1,5MT
176	MR1004A	MORSETT. 7FTW GV V0 VL CU 1+2+3/4
177	OH7078A	PROFILO PROTEZIONE SCHEDA POTENZA
185	VL1014A	RIDUTTORE DI PRESSIONE CON DISTRI
186	VL1038A	POMPA VIBRAZIONE
187	EL1411A	ELETTRIVALVOLA H2O CON CHECK VALV

188	TB2403A	TUBO PVC Ø9X6 L 250 MM
189	EL1180A	RACCORDO NON RITORNO Ø8 Ø8 FEMMIN
190	VM1630A	TAPPO PREMI VETRO INTERNO
191	EL1195B	RACCORDO GOMITO D8F-D8M
192	EL1115B	RACCORDO Y D8
193	EL1345A	CLIP BLOCCA PINZETTA RACCORDI Ø8
194	EL1020A	RACCORDO INTERMEDIO "T" TUBO Ø8
195	OH6413A	SUPPORTO IMPIANTO IDRICO
165	OP1006B	PORTACOMPONENTI BT EL S.5E
166	CN1003A	CONDENSATORE CORAZZATO 6,3 uF
167	VE1115A	MINICONTATTORE QUADRIPOLE 20 A
168	VM1056A	STAFFA TELERUTTORE PICCOLO VE1115
169	VM1840A	TAPPO NYLON NERO DIAM. 9,5 MM
170	VE1026A	TRASFORMATORE 230-21-12Vac 90VA
171	PE1725E	SCHEDA POTENZA FORNI CT-BT S5.E
172	VM1750A	MORSETTIERA A PETTINE
173	TR1136A	TERMOSTATO SIC. UNIP. 330°C
174	VM1310A	SCATOLA COPRI MORSETTIERA XB/XV/X
175	CE1355A	CAVO 5X2,5MMQ.H07RN-F L=1,5MT
176	MR1004A	MORSETT. 7FTW GV V0 VL CU 1+2+3/4
177	OH7078A	PROFILO PROTEZIONE SCHEDA POTENZA

MOD:XBC405E



EN

Codes descriptions

1	VT1131B	757X555X4 EXTERNAL GLASS
2	VT1130A	INTERNAL GLASS 743x432x6 XBC404-X
3	TB1186A	XVC305 XBC405 ST. ST. LEFT DOOR C
4	TB2314A	XVC305E-XBC405E 50x50x1.2 RIGHT C
5	TB1361A	S. E BAKERTOP DOOR UPPER LISTEL
6	TB1362A	S. E BAKERTOP DOOR LOWER LISTEL
7	VM1170B	UPPER DOOR FULCRUM CAP
8	VM1511A	XBC/XVC SLEEK DOOR PIN BUSHING
9	VM1171B	DOOR LOWER FULCRUM CAP
10	VM1510A	XBC/XVC GROOVED DOOR PIN BUSHING
11	VM1175A	DOOR COLUMN BLANKING CAP
12	VM2031A	EXTERNAL GLASS PUSHING PLATE
13	VM2043A	UPPER - LOWER GLASS SUPPORT
14	VM2042A	INTERNAL GLASS LATERAL LOCKING SY
16	LP1001B	LED LIGHTING BAR L300
17	VM1621A	LED BAR UPPER SUPPORT
18	VM1620A	LED BAR LOWER SUPPORT
19	VM1490A	CHEFTOP/BAKERTOP HANDLE SCREWS CO
21	OH4310A	ST. STEEL HEAT-GUARD FOR CONTROL
22	PE1740C	CT BT CONTROL BOARD PE1705 + BOAR
23	VM1617A	DRIP PROFILE
24	VM2014A	LEFT DRIP PROFILE PIPE
26	VM2044A	DRIP PROFILE CAP
27	VM1680A	INTERNAL GLASS HINGE
28	CR1085A	INTERNAL GLASS UPPER HINGE
29	CR1086A	INTERNAL GLASS LOWER HINGE
30	GN1181A	INTERNAL GLASS HINGE SEAL
31	CE1275A	CONNECTION CABLE POWER - CONTROL
32	CE1665A	LED POWER SUPPLY 1 M CABLE
33	CE1285A	EMI ROUND FERRITE MOD.2643801502
36	VM1630A	INTERNAL GLASS PUSHING CAP

37	VM1591A	GLASS BRACKET INT. XVC1004
22	PE1740B	CT BT CONTROL BOARD PE1705 + BOAR
39	VE1030A	MAGNET FOR DOOR MICROSWITCH D=22,
40	TB2262A	XBC405E INTERNAL WATER PIPE Ø16x1
41	OG1477A	XBC405E FAN GUARD
42	GN1387B	GN1000B-GUARNIZIONE PORTA SILICON
43	VN1030A	MOTOR FAN D196 H81 39 BLADE NUT M
43	VN1030A	MOTOR FAN D196 H81 39 BLADE NUT M
47	GN1085A	HEATING ELEMENT GASKET 141x24 G6.
48	OH4305A	ST. STEEL MOTOR SHAFT SEALING DIS
49	GN1140A	MOLDED MOTOR SUPPORT GASKET
50	OH2551A	XBC/XVC ST.STEEL DRAIN COVER
51	GRL1297A	4 600x400 RIGHT LATERAL SUPPORT
52	GRL1296A	4 600x400 LEFT LATERAL SUPPORT
53	TR1040A	MOLDED CORE PROBE L=1320
54	GN1326A	ELEMENT SEALING 70X22X0.8
55	RS1215A	147W 105V D230 1 TURN FLAT ELEMEN
55	RS1215A	147W 105V D230 1 TURN FLAT ELEMEN
57	OG1346B	XBC405 FAN GUARD VERTICAL SPACER
58	TR1106A	TEMPERATURE PROBE PT100 L=2000
59	GN1285A	NTC TEMPERATURE PROBE SEALING
60	VM1465A	CHEFTOP TEMPERATURE PROBE COVER
62	EL1055A	INTERMEDIATE REDUCTION FROM D=10
63	EL1020A	INTERMEDIATE "T" CONNECTION ø8
64	EL1361A	J.G. THREE-STAGE SOLENOID VALVE D
64	EL1361A	J.G. THREE-STAGE SOLENOID VALVE D
66	VN1130A	330W 230V 50/60HZ MOTOR
66	VN1130A	330W 230V 50/60HZ MOTOR
69	PE1710A	MOTOR REVOLUTIONS SENSOR
70	OH3586A	ZINCATE MOTOR GUARD PLATE XBC-XVC
71	OH4851A	BRACKET SUPPORT WIRING HARNESS ST

72	VM1610A	CLIP TWIST LOCK DIAM. 7,6-10,2 MM
73	TB2250A	EXTERNAL WATER PIPE + FITTING RC1
74	TB1515A	EXTERNAL WATER PIPE + RC1165A0
75	RC1170A	STAINLESS STEEL NUT M14 H=8 CH=22
77	RC1378A	HOSE CLAMP
78	TB1956A	TB1520A - EPDM BLACK PIPE L=50
82	VE1135A	VENTURI ACTUATOR 220 V 50/60 Hz 5
83	OH7030A	INLET COVER BULB
84	GN1531A	PROBE SEALING
85	VM1955C	WASHING SYSTEM ROTOR
80	OD2148A	XBC405E EXTERNAL LEFT SIDE PANEL
81	OD2149A	XBC405E EXTERNAL RIGHT SIDE PANEL
82	OD1875A	XBC405/605/805 STAINLESS STEEL CO
83	OE1312A	5 - E.S. BAKERTOP EXTERNAL BOTTOM
84	OF1433A	XBC405E EXTERNAL BACK PANEL
85	OH6395A	S. 5-E BAKERTOP FEET BRACKET
86	PD1066B	BI-COMPONENT FOOT H100
87	PD1063A	CT BT FOOT STOP BRACKET
88	VM1992A	E SERIES BAKERTOP DRIP TRAY
89	VM2074A	C.T. DRIP TRAY FIXING CLIP WITH S
90	VL1026A	BEND FOR DRAIN PIPE
91	GN1400A	U-TRAP SEAL
92	VM2039A	DRAIN BEND FIXING RING
93	VM2035A	DRAIN PIPE SUPPORT
94	VM1505A	WALL PASSING WITH DIAPHRAGM
95	VM1160B	CT BT DOOR LOWER BRACKET
96	VM1240A	NYLON SUPPORT CAP
97	OH2560A	XBC/XVC ZINC PLAT. DOOR COUNTERBR
98	VM1461A	XBC/XVC LEFT DOOR LATCH CAP
99	VM1191A	CT BT LEFT DOOR SPRING LATCH
100	VM1192A	CT BT DOOR SPRING LATCH COVER

101	VM1460A	XBC/XVC RIGHT DOOR LATCH CAP
102	VM1190A	CT BT RIGHT DOOR SPRING LATCH
103	VM1201A	MAGNETIC SUPPORT PLATE FOR DOOR M
104	VE1020A	MAGNETIC DOOR MICROSWITCH
105	PE1967B	E SERIES CHEFTOP-BAKERTOP POWER C
106	OH3790A	CHIMNEY HOLDING PLATE
107	GN1275A	XBC/XVC BLACK CHIMNEY SEALING
108	VM1166A	CAP FOR DOOR UPPER STIRRUP XVC204
109	VM1165B	CT BT DOOR UPPER BRACKET
110	VM1195A	HOLES BLANKING PLATE XVC204/304/5
111	VM1556A	XBC-XVC COOLING FAN GUARD
112	VM1555A	CT BT COOLING DOWN FAN SUPPORT
136	OH1450A	XB-XV-XG ST. STEEL MUFFLE FRONT C
137	VN1163A	COOLING FAN 230V
138	VM2061A	ACCESSORIES CABLES WALL PASSING
165	OP1006B	E SERIES BAKERTOP COMPONENTS HOLD
166	CN1003A	CONDENSER6,3 UF
167	VE1115A	MINI CONTACTOR WITH 4 POLES 20 A 2
168	VM1056A	SUPPORT MINI CONTACTOR VE1115A
169	VM1840A	BLACK NYLON CAP DIAM. 9,5mm
170	VE1026A	TRANSFORMER 230-21-12Vac 80VA
171	PE1725E	E SERIES CHEFTOP-BAKERTOP POWER C
172	VM1750A	TERMINAL BOARD
173	TR1136A	SAFETY THERMOSTAT UNIP. 330°C
174	VM1310A	COVER FOR TERMINAL BOX XB/XV/XVC/
175	CE1355A	CABLE 5 X 2,5 MMQ H07RNF L = 1,5
176	MR1004A	TERMINAL 7FTW GV V0 VL CU 1+2+3/4
177	OH7078A	POWER CARD PROTECTING PROFILE H70
185	VL1014A	PRESSURE REDUCER WITH DISTRIBUTOR
186	VL1038A	VIBRATION PUMP
187	EL1411A	SOLENOID VALVE WITH CHECK VALVE

188	TB2403A	ø9x6 L 250 MM PVC PIPE
189	EL1180A	ø8 ø8 FEMALE NON-RETURN CONNECTIO
190	VM1630A	INTERNAL GLASS PUSHING CAP
191	EL1195B	D8F-D8M ELBOW CONNECTION
192	EL1115B	Y D8 CONNECTION
193	EL1345A	CLIP TO FIX ø08 mm CONNECTION JOI
194	EL1020A	INTERMEDIATE "T" CONNECTION ø8
195	OH6413A	WATER SYSTEM SUPPORT
165	OP1006B	E SERIES BAKERTOP COMPONENTS HOLD
166	CN1003A	CONDENSER6,3 Uf
167	VE1115A	MINI CONTACTOR WITH 4 POLES 20 A 2
168	VM1056A	SUPPORT MINI CONTACTOR VE1115A
169	VM1840A	BLACK NYLON CAP DIAM. 9,5mm
170	VE1026A	TRANSFORMER 230-21-12Vac 80VA
171	PE1725E	E SERIES CHEFTOP-BAKERTOP POWER C
172	VM1750A	TERMINAL BOARD
173	TR1136A	SAFETY THERMOSTAT UNIP. 330°C
174	VM1310A	COVER FOR TERMINAL BOX XB/XV/XVC/
175	CE1355A	CABLE 5 X 2,5 MMQ H07RNF L = 1,5
176	MR1004A	TERMINAL 7FTW GV V0 VL CU 1+2+3/4
177	OH7078A	POWER CARD PROTECTING PROFILE H70